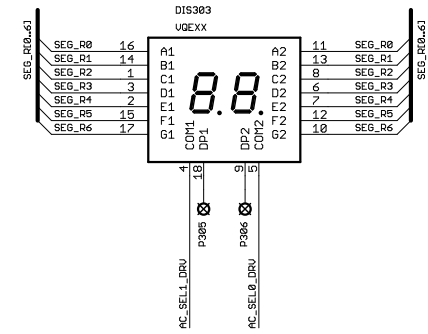
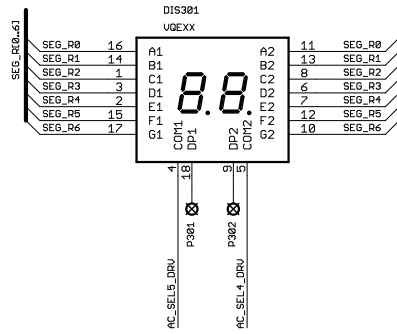
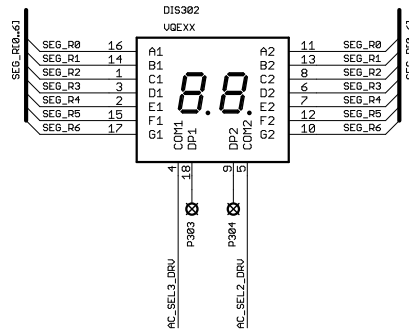
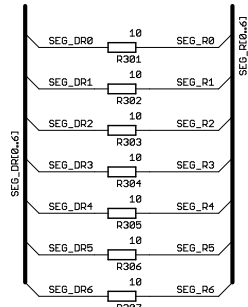
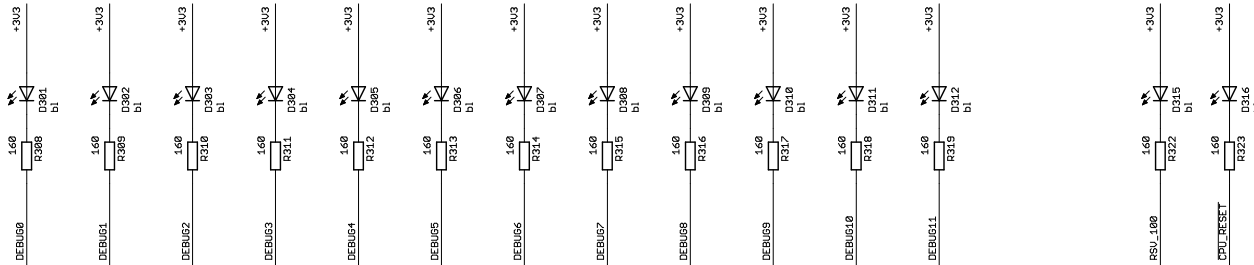


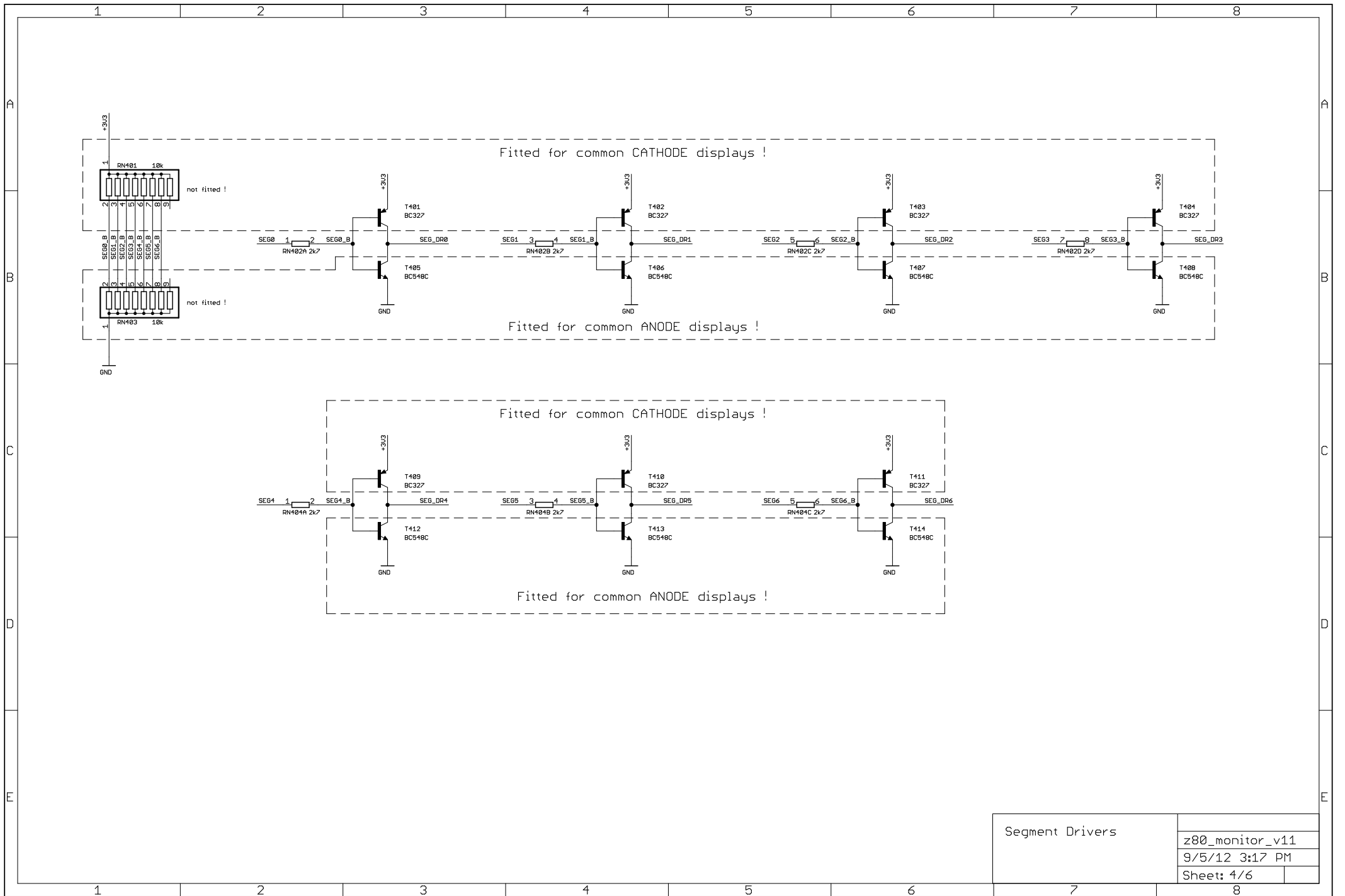
CONNECTORS, JTAG	
z80_monitor_v11	
9/5/12 3:17 PM	
Sheet: 1/6	



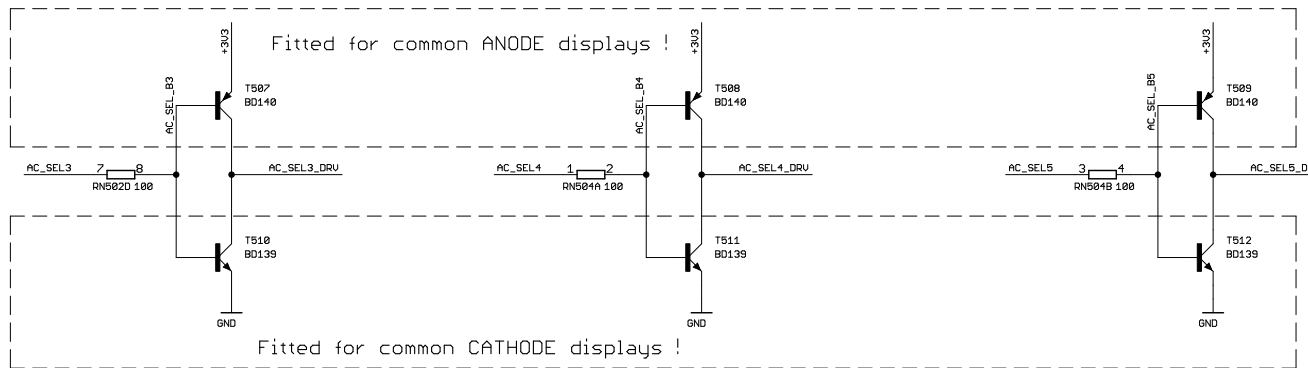
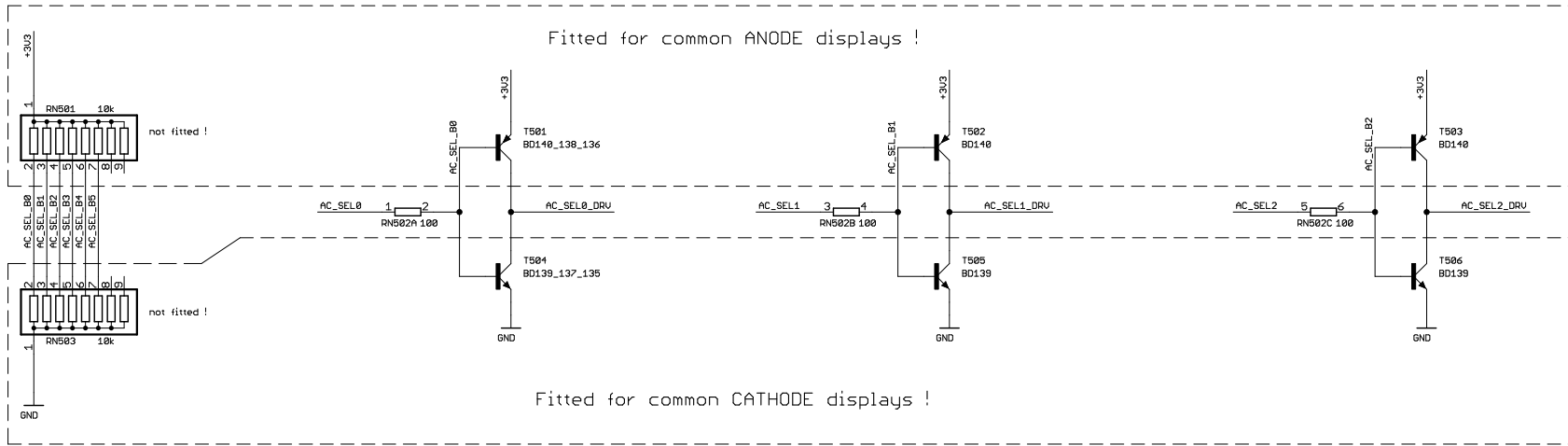
NOTE: VQE13 red, common cathode
 NOTE: VQE23 green, common cathode
 NOTE: VQE14 red, common anode
 NOTE: VQE24 green, common anode



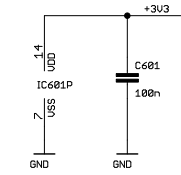
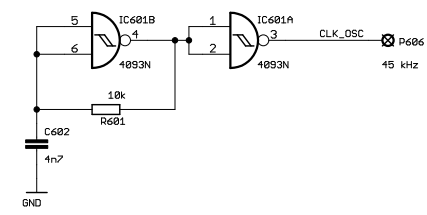
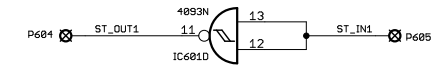
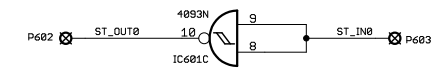
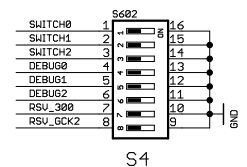
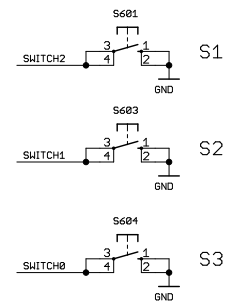
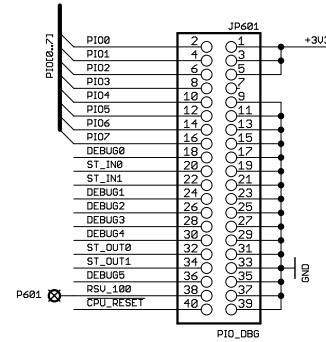
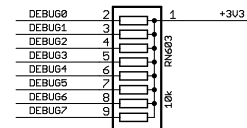
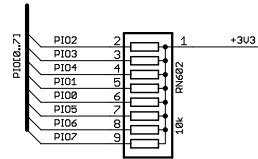
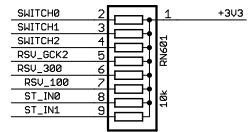
DISPLAY	z80_monitor_v11
	9/5/12 3:17 PM
	Sheet: 3/6



Segment Drivers	z80_monitor_v11
	9/5/12 3:17 PM
	Sheet: 4/6



AC drivers	z80_monitor_v11
	9/5/12 3:17 PM
	Sheet: 5/6



OSC, Schmitt-Triggers	z80_monitor_v11
Switches	9/5/12 3:17 PM
DBG, PIO connectors	Sheet: 6/6