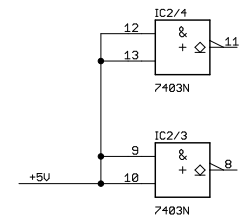
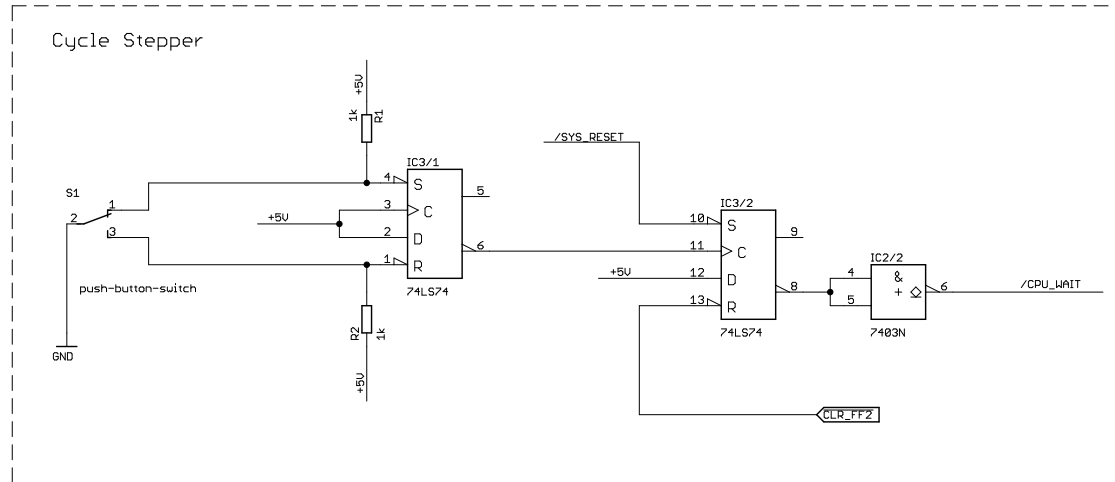
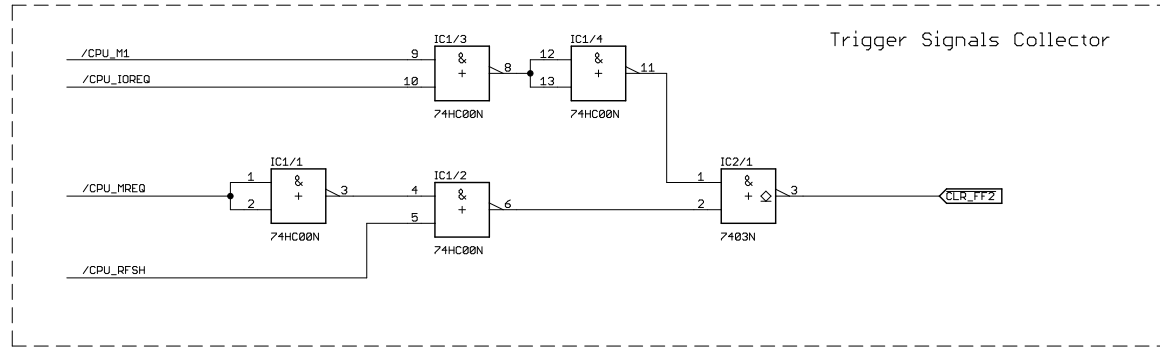
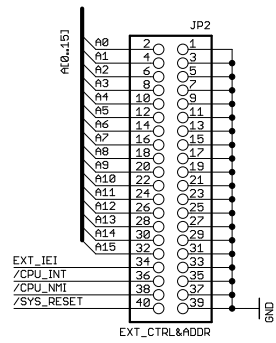
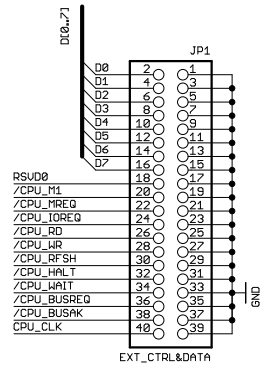
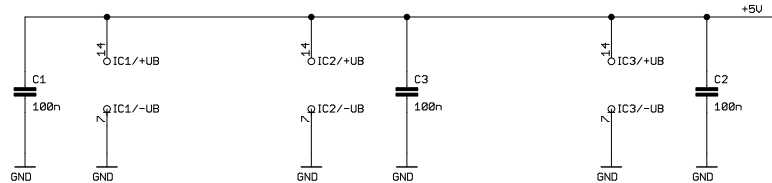


TRAIN-Z Bus Connectors



CAUTION !

This circuitry is an early approach.
 It has not been tested yet !



280 stepper circuitry
 drawn by Mario Blunk
 at www.train-z.de

stepper
3/11/12 7:46 PM
Sheet: 1/1